



With modern touches like a laptop sleeve and office organizer, this backpack still has that retro flair, but with an updated look and functionality.

- 600 denier polyester
- Large main compartment
- Suspended, padded laptop sleeve
- Padded shoulder straps
- Front office organization
- Front zippered pocket
- Faux leather diamond patch
- Laptop sleeve dimensions: 11.25”h x 11.5”w x 1”d; fits most 15” laptops
- Dimensions: 17.75”h x 12.25”w x 5.25”d; Approx. 1,141 cubic inches

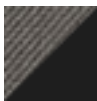
Note: Bags not intended for use by children 12 and under.

		Pricing Breakdown										
Quantity		1-12	12-23	24-74	48-71	72-95	96-143	144-299	300-499	500-999	1000-2499	2500-10000
Price		\$26.42	\$19.82	\$19.15	\$18.49	\$17.83	\$17.17	\$16.51	\$15.85	\$15.19	\$14.53	\$13.87

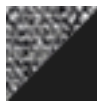
COLOR INFORMATION



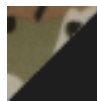
Black
NTR BLACK C



Dark Charcoal/
Black
7540C/NTR
BLACK C



Heather Grey/
Black
NO MATCH/
NTR BLACK C



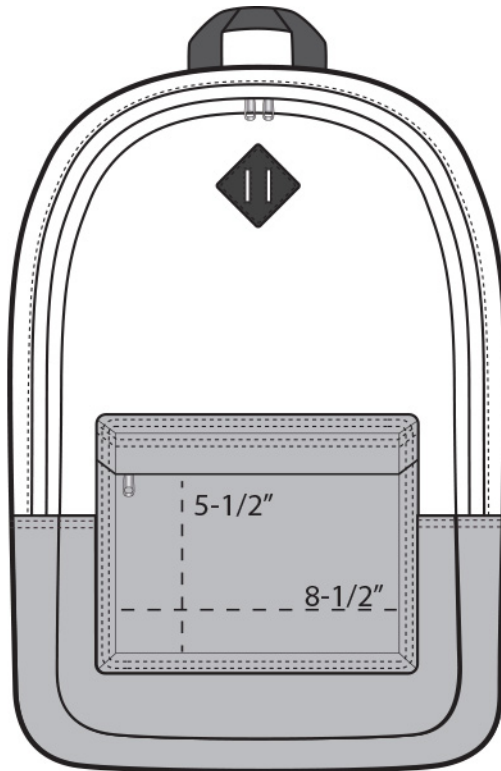
Military Camo/
Black
PATTERNED/
NTR BLACK C



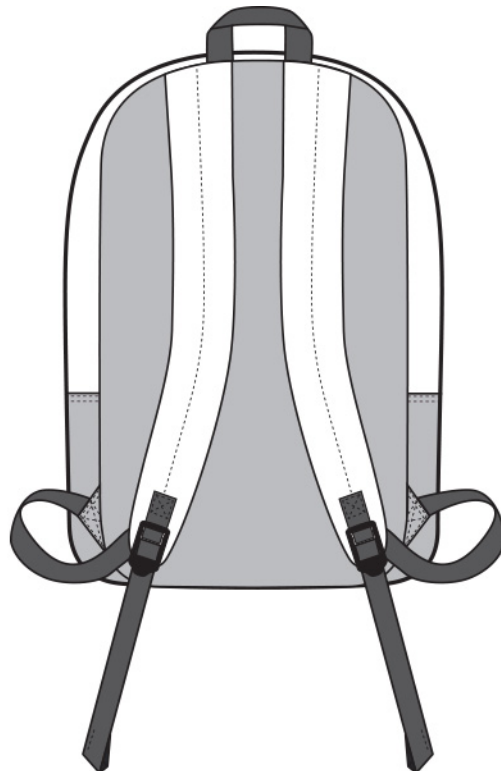
True Red/Black
187C/NTR
BLACK C



True Royal/
Black
7687C/NTR
BLACK C



FRONT VIEW



BACK VIEW